

UR-W376C

UNIC MINI-CRAWLER CRANE

UR-W376C features a six-section hydraulic boom to allow a maximum hook height of 14.9m.

The middle size UNIC mini-crawler crane can be operated either from the onboard operator seat or from a distance using a remote control. Its class-leading boom length of 14.61m brings wide working radius and excellent lifting height.

Max 14.9m
Hook height (Approx.)
(Above ground level)

Max 3.03t
x2.5m
Lifting capacity

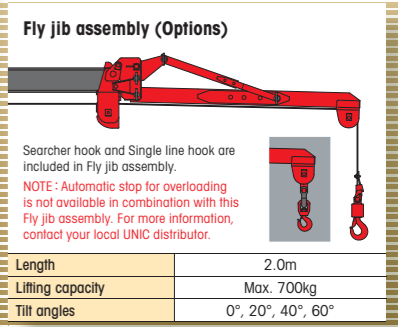
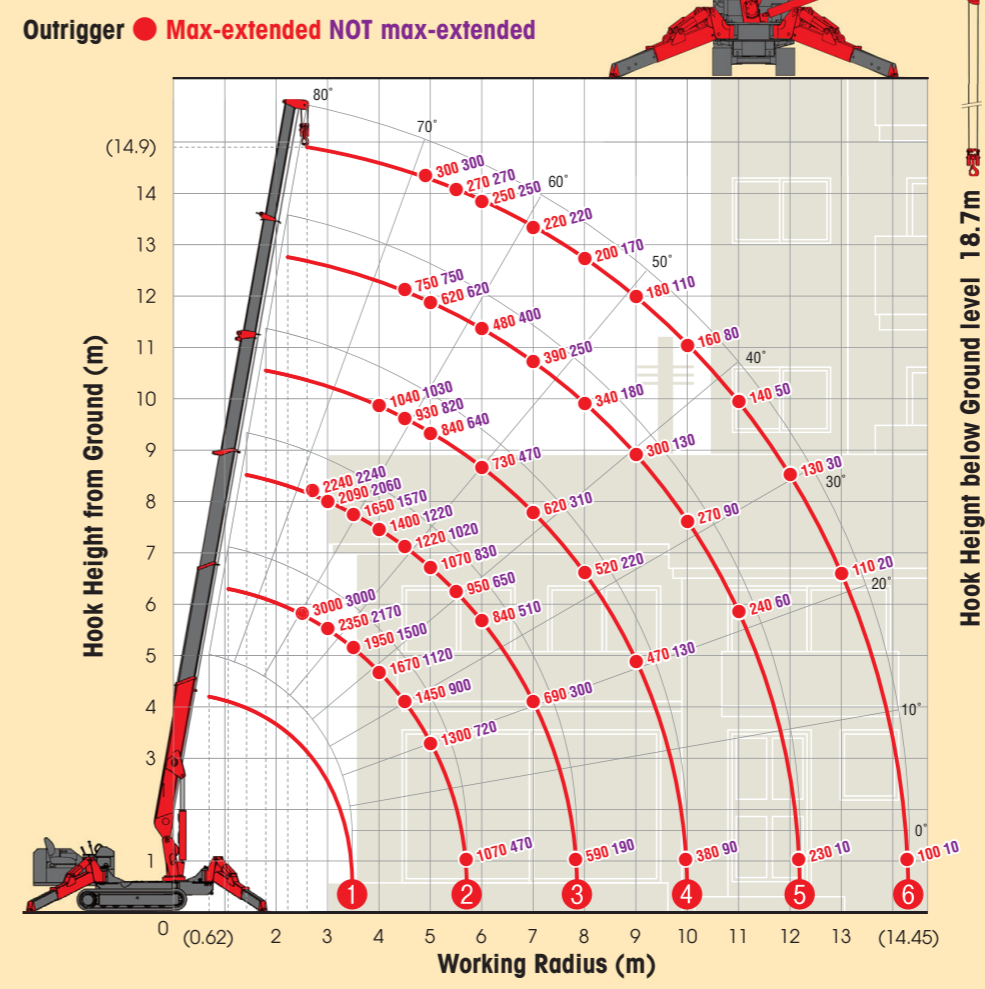
Max 14.45m
Working radius

3860kg
Mass of crane

Radio remote control



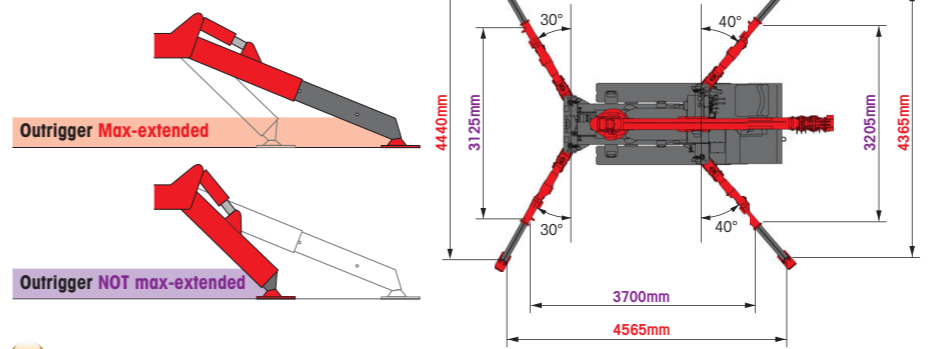
WORKING RANGE & NET RATED LOADS (kg)



SPECIFICATIONS

Crane model	UR-W376C2
Lifting capacity	Max. 3.03t at 2.5m
Working radius	Min. 0.62m, Max. 14.45m
Hook height (Approx.)	Above ground level: Max. 14.9m Below ground level: Max. 18.7m with 4-part line
Boom	Length: Min. 3.63m to Max. 14.61m Extending speed [with electric power unit]: 10.98m / 23.0 sec. [50Hz] 10.98m / 40.0 sec. [60Hz] 10.98m / 33.5 sec. Raising angle / speed [with electric power unit]: 0° to 80° / 10.0 sec. [50Hz] 0° to 80° / 18.0 sec. [60Hz] 0° to 80° / 15.0 sec. Structure: 6-section box beam type telescoping boom
Winch	Single line speed [with electric power unit]: 68.0 m/min (at 4th layer) [50Hz] 34.0 m/min (at 4th layer) [60Hz] 40.0 m/min (at 4th layer) Hook speed [with electric power unit]: 17.0 m/min (at 4th layer with 4-part line) [50Hz] 8.5 m/min (at 4th layer with 4-part line) [60Hz] 10.0 m/min (at 4th layer with 4-part line) Structure: Hydraulic motor driven, spur gear reduction, with automatic mechanical brake and wire rope retaining roller Wire rope: Construction : IWRC 6 x WS(26) GRADE B / Diameter x Length : 8mm x 85.0m / Breaking strength : 42.4kN (4320 kgf) Hook block: 3.00t capacity, 2 sheaves with safety latch
Slewing	Range: 360° continuous rotation on a ball bearing race Speed [with electric power unit]: 2.5 rpm [50Hz] 2.1 rpm [60Hz] 2.5 rpm Structure: Hydraulic motor driven, worm gear reduction, spur gear reduction, and worm self-locking brake (supported by ball bearings)
Outriggers	Horizontal, Vertical: A double acting hydraulic cylinder, direct pushing type (Directly connected with hydraulic automatic lock device) Type: Variable delivery piston pump Rated pressure: 21.6 MPa [220 kgf/cm ²] Rated delivery: 60 liters/min Rated revolution: 2500 rpm
Hydraulic pump	Hydraulic oil tank capacity: 75 liters
Safety devices	Pressure relief valve for hydraulic circuit / Counterbalance valves for boom raising and boom telescoping cylinders / Pilot-operated check valves for outrigger cylinders (Horizontal) Double pilot-operated check valves for outrigger cylinders (Vertical) / Boom angle indicator with load indicator / Hook safety latch / Automatic mechanical brake for winch Automatic stop for overwinding / Overwinding alarm / Automatic stop for leaving minimum wire rope / Emergency stop button / Inter-lock device of crane and crawling levers Inter-lock device of crane and outriggers / Level / Automatic stop for overloading (KM-100) / Digital load meter / Three colored lamp / Headlight / Boom outrigger monitor lamp

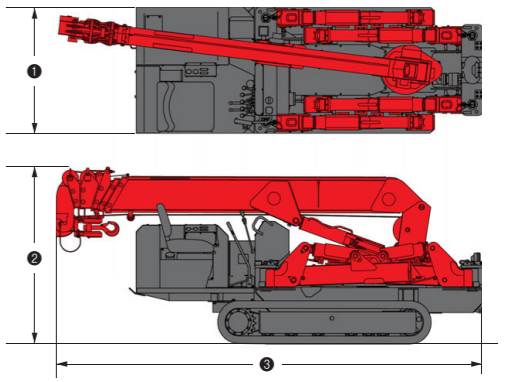
OUTRIGGER POSITIONS



CRAWLING GEAR

Crane model	UR-W376C2
Crawling speed [with electric power unit]	0-3.0 km/h, forward / backward [50Hz] 0-1.3 km/h [60Hz] 0-1.5 km/h
Hill climbing ability	23°
Tread length	1750mm
Ground contact pressure [with electric power unit]	36.3 kPa (0.37 kgf/cm ²) 37.3 kPa (0.38 kgf/cm ²)
Engine manufacturer / model	Yanmar / 3TNV76
Displacement	1115cc
Maximum output	15.17kW(20.6PS) / 2500 rpm, Rated output
Fuel	Diesel
Fuel tank capacity	40 liters
Steering	Hydraulic drive independent of left / right
Starter	Starter motor

DIMENSIONS



Crane model	UR-W376C2
① Total width	1300mm
② Total height	1800mm
③ Total length	4340mm
Mass of crane	3860kg [4010kg] [with electric power unit]

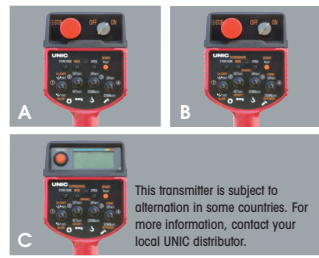
Electric power unit specifications

Rated power	7.5kW (3-phase 4 poles)
Voltage	AC 200V or 400V (50Hz / 60Hz) 3 phase 4P

*Not included any cables.

Standard equipments and Options

UNIC MINI-CRAWLER CRANE



1 Radio remote control
 A W094C, W295C
 B W376C, W546C, W547C, W706C
 C W1006C



2 Cable remote control



3 Load meter



4 Digital load meter
 Load indication is each 20kg (0.02t).



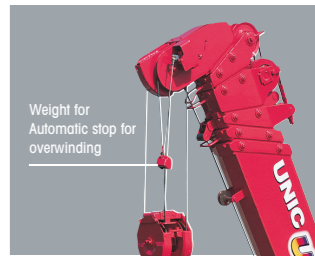
5 Automatic stop for overloading
 KM-100 W376C, W546C, W547C



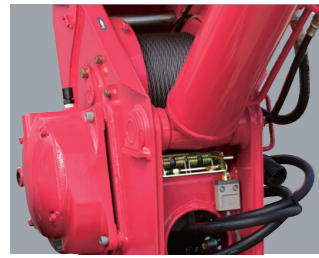
6 Automatic stop for overloading
 ML-300 W706C



7 Safe load indicator



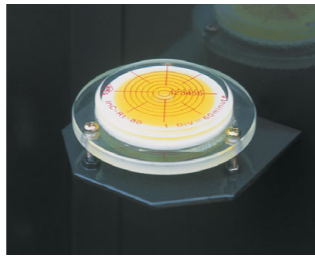
8 Automatic stop for overwinding



9 Automatic stop for leaving minimum wire rope



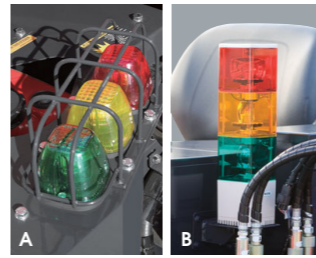
10 Emergency stop button
 A W094C, W295C
 B W376C, W546C, W547C, W706C, W1006C



11 Level



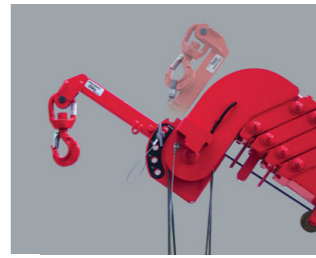
12 Turn over prevention device



13 Three colored lamp
 A W295C
 B W376C, W546C, W547C, W706C, W1006C



14 Boom outrigger monitor lamp



15 Searcher hook assembly



16 Fly jib assembly



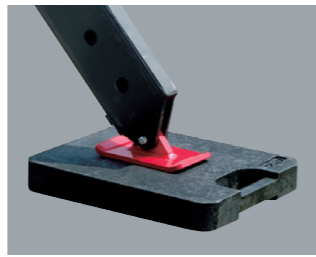
17 Single line hook



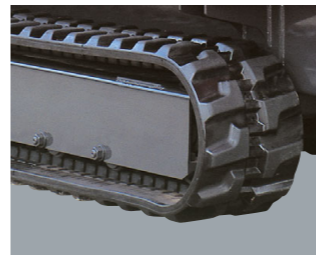
18 Working light



19 Headlight



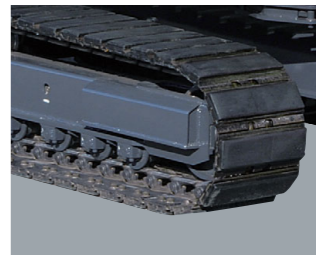
20 Outrigger mats



21 Black crawler belt



22 White crawler belt



24 Rubber Pad



25 20M cable for motor (200V)

26 20M cable for motor (400V)

STANDARD EQUIPMENTS / OPTION [★ Standard ● Option — Not available]

Crane model	UR-W094C		UR-W295C		UR-W295C1		UR-W376C2		UR-W546C2		UR-W547C2		UR-W706C2		UR-W1006C2		Crane model
	UR-W094CP2E	UR-W295CP2A	UR-W295CP2AM	UR-W295C1A	UR-W295C1AM	UR-W376C2A	UR-W376C2AM	UR-W546C2A	UR-W546C2AM	UR-W547C2A	UR-W547C2AM	UR-W706C2A	UR-W706C2AM	UR-W1006C2A	UR-W1006C2AM		
Engine manufacturer / model	Mitsubishi / GB300LE	Mitsubishi / GB400LE	Mitsubishi / GB400LE	Kubota / Z482-E3B	Kubota / Z482-E3B	Yanmar / 3TNV76	Yanmar / 3TNV76	Yanmar / 3TNV76	Yanmar / 3TNV76	Yanmar / 3TNV76	Yanmar / 3TNV76	Mitsubishi / S4L2	Mitsubishi / S4L2	Yanmar / 4TNV88	Yanmar / 4TNV88	Engine manufacturer / model	
Fuel	Petrol	Petrol	Petrol	Diesel	Diesel	Diesel	Diesel	Diesel	Diesel	Diesel	Diesel	Diesel	Diesel	Diesel	Diesel	Fuel	
Electric motor	—	—	AC 200V or 400V	—	AC 200V or 400V	—	AC 200V or 400V	—	AC 200V or 400V	—	AC 200V or 400V	—	AC 200V or 400V	—	AC 400/400-440V	Electric motor	
1 Radio remote control	★	★	★	★	★	★	★	★	★	★	★	★	★	★	★	1 Radio remote control	
2 Cable remote control	●	●	●	●	●	●	●	●	●	●	●	●	●	●	●	2 Cable remote control	
3 Load meter	★	★	★	★	★	—	—	—	—	—	—	—	—	—	—	3 Load meter	
4 Digital load meter	—	●	●	●	●	★	★	★	★	★	★	★	★	★	★	4 Digital load meter	
5 Automatic stop for overloading (KM-100)	—	●	●	●	●	★	★	★	★	★	★	—	—	—	—	5 Automatic stop for overloading (KM-100)	
6 Automatic stop for overloading (ML-300)	—	—	—	—	—	—	—	—	—	—	—	★	★	—	—	6 Automatic stop for overloading (ML-300)	
7 Safe load indicator	—	—	—	—	—	—	—	—	—	—	—	—	—	—	—	7 Safe load indicator	
8 Automatic stop for overwinding	★	★	★	★	★	★	★	★	★	★	★	★	★	★	★	8 Automatic stop for overwinding	
9 Automatic stop for leaving minimum wire rope	★	★	★	★	★	★	★	★	★	★	★	★	★	★	★	9 Automatic stop for leaving minimum wire rope	
10 Emergency stop button	★	★	★	★	★	★	★	★	★	★	★	★	★	★	★	10 Emergency stop button	
11 Level	★	★	★	★	★	★	★	★	★	★	★	★	★	★	★	11 Level	
12 Turn over prevention device	—	★	★	★	★	●	●	—	—	—	—	—	—	—	—	12 Turn over prevention device	
13 Three colored lamp	—	●	●	●	●	★	★	★	★	★	★	★	★	★	★	13 Three colored lamp	
14 Boom outrigger monitor lamp	—	—	—	—	—	★	★	★	★	★	★	★	★	★	★	14 Boom outrigger monitor lamp	
15 Searcher hook assembly	—	●	●	●	●	●	●	●	●	●	●	●	●	●	●	15 Searcher hook assembly	
16 Fly jib assembly	—	●	●	●	●	●	●	●	●	●	●	●	●	●	●	16 Fly jib assembly	
17 Single line hook	—	●	●	●	●	—	—	—	—	—	—	●	●	—	—	17 Single line hook	
18 Working light	●	●	●	●	●	●	●	●	●	●	●	●	●	●	●	18 Working light	
19 Headlight	—	—	—	—	—	★	★	★	★	★	★	★	★	★	★	19 Headlight	
20 Outrigger mats	●	●	●	●	●	●	●	●	●	●	●	●	●	●	●	20 Outrigger mats	
21 Black crawler belt	★	★	★	★	★	★	★	★	★	★	★	★	★	★	★	21 Black crawler belt	
22 White crawler belt	●	●	●	●	●	—	—	—	—	—	—	—	—	—	—	22 White crawler belt	
23 White crawler belt (as spare)	●	●	●	●	●	●	●	●	●	●	●	●	●	●	●	23 White crawler belt (as spare)	
24 Rubber Pad	—	—	—	—	—	—	—	—	—	—	—	—	—	—	—	24 Rubber Pad	
25 20M cable for motor (200V)	—	—	●	—	●	—	—	—	—	—	—	—	—	—	—	25 20M cable for motor (200V)	
26 20M cable for motor (400V)	—	—	●	—	●	—	—	—	—	—	—	—	—	—	—	26 20M cable for motor (400V)	